

FILTER OVERVIEW WITH SERVICE INTERVALS AND CAPACITIES

5020 Series Tractors (5220, 5320, 5420 and 5520)

CAB

RECIRCULATION AIR FILTER

(S.N. - 420000)

ALL MODELS – [RE73220](#)

RECIRCULATION AIR FILTER

(S.N. 420001-)

ALL MODELS – [RE195491](#)

Please order two.

Clean after every 250 hours and replace as required.

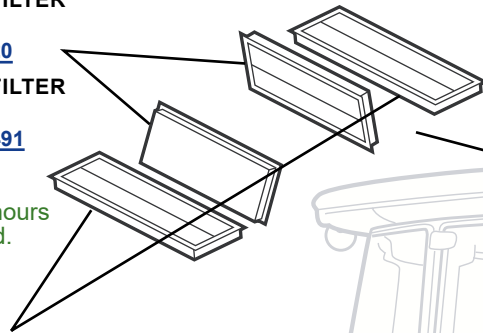
CAB

FRESH AIR FILTER

(5220–5520) – [RE198488](#)

Please order two.

Clean after every 250 hours and replace as required.



ENGINE

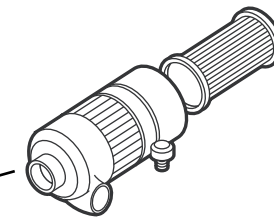
OIL FILTER (5220–5320) – [T19044](#)

Replace after 100 hours or annually if using John Deere Plus-50™ oil.

OIL FILTER (5420–5520) – [RE59754](#)

Replace after 100 hours and then every 375 hours or annually if using John Deere Plus-50 oil.

(Click here for [capacity](#))



ENGINE

SECONDARY AIR FILTER

ALL MODELS – [AT171854](#)

Replace annually and as required.

ENGINE

PRIMARY AIR FILTER

ALL MODELS – [AT171853](#)

Clean after every 250 hours and replace annually or and as required.

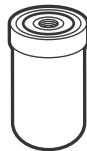
HYDRAULIC/TRANSMISSION

FILTER ELEMENT

ALL MODELS – [RE45864](#)

Replace after 100 and then every 1,200 hours.

(Click here for [capacity](#))

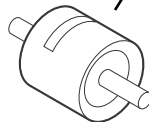


ENGINE

IN-LINE FUEL STRAINER

ALL MODELS – [RE220719](#)

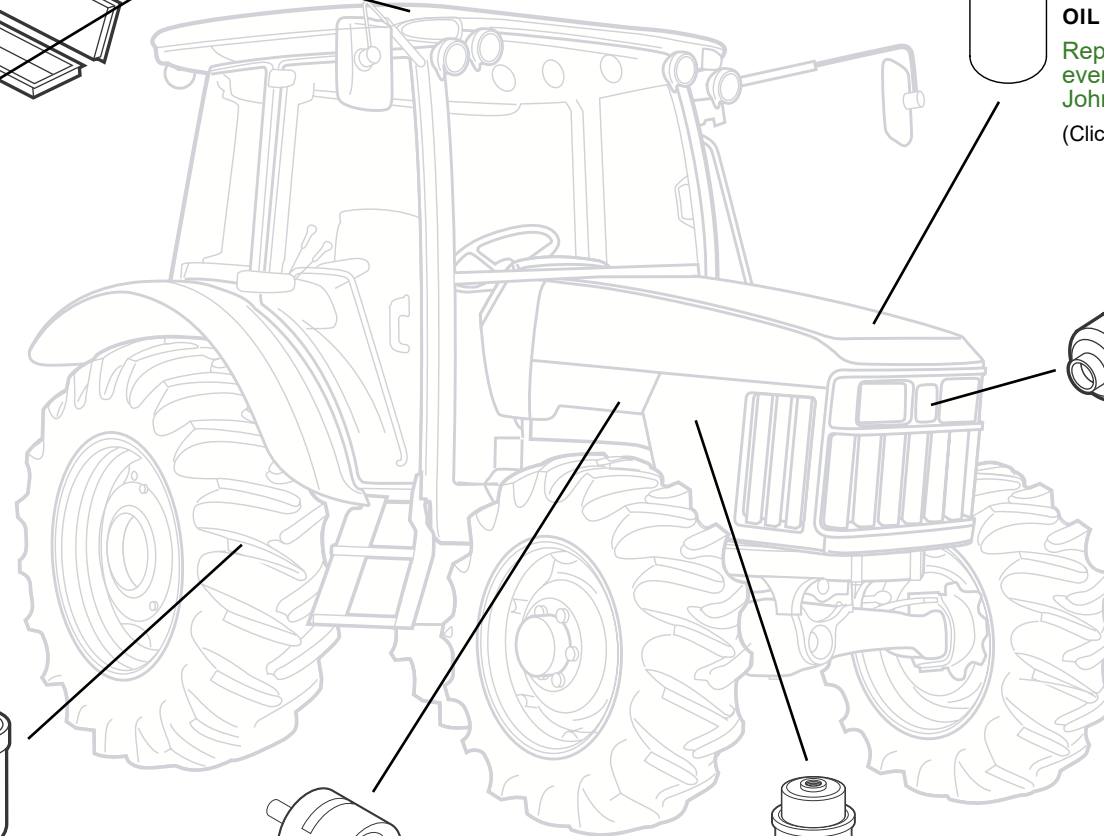
Replace as required.



ENGINE

FUEL FILTER ALL MODELS – [RE60021](#)

Replace after every 500 hours or annually as required.



JOHN DEERE

Genuine Parts and Service

CAPACITIES

5020 Series Tractors (5220, 5320, 5420 and 5520)

CAPACITIES (Approximate):

Fuel Tank:

5220-5320-5420 Straddle Mount (Early Model)	68 L (18 gal)
5520 Straddle Mount (Early Model)	83 L (22 gal)
5220-5320-5420 Straddle Mount (Late Model)	77 L (20 gal)
5520 Straddle Mount (Late Model)	93 L (25 gal)
IOOS-Small Filler Neck	102 L (27 gal)
IOOS-Large Filler Neck	112 L (29.5 gal)
Cab-Small Filler Neck	102 L (27 gal)
Cab-Large Filler Neck	112 L (29.5 gal)

Cooling System:

Cool-Gard™ II

5220-5320	9.5 L (2.5 gal)
5420-5520	10.8 L (2.8 gal)

Crankcase including Filter Change:

Plus-50™ II

5220-5320-5420-5520	8.5 L (2.2 gal)
---------------------------	-----------------

Transmission and Hydraulic System:

Hy-Gard™

Dry Clutch (CollarShift and SyncShuttle)	38 L (10 gal)
Hi-Crop	64 L (17 gal)
Wet Clutch (PowrReverser)	43.5 L (11.5 gal)
Hi-Crop	70 L (18.5 gal)

Mechanical Front Wheel Drive (MFWD):

GL-5

Differential Housing Axle Oil	5 L (1.3 gal)
Wheel Hub Axle Oil (Each)	0.7 L (0.18 gal)
Assembly Axle Oil	6.2 L (1.6 gal)

[Return to Filter Overview](#)

